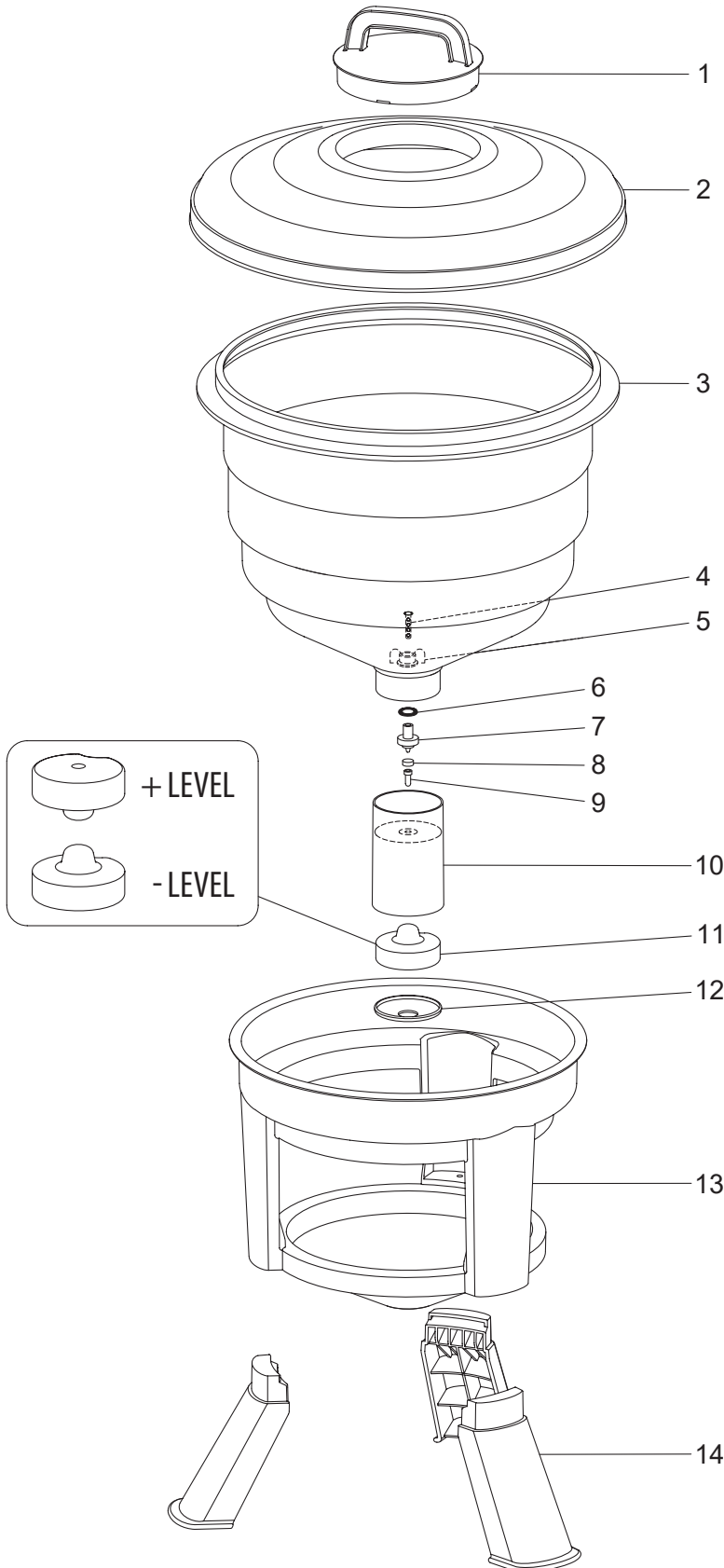


# POULTRY PLASTIC DRINKER TANKSTAND - 30L

Assembly Instructions



No.	PART DESCRIPTION
1	COVER/CAP
2	TOP
3	30L TANK
4	FILTER
5	ABS WING NUT
6	FLAT O-RING
7	ABS FITTING
8	RUBBER WATER SEAL
9	PUSH ROD
10	TUBE GUIDE FOR BUOY
11	BUOY
12	TUBE GUIDE COVER
13	BASE SUPPORT
14	LEGS